



\$630

Model Shown

PX02 SERIES
0-5 Vdc Output
0-2 to 30,000 psi
0-150 mbar to 0-2000 bar

1 bar = 14.5 psi
 1 kg/cm² = 14.22 psi
 1 Atmosphere = 14.7 psi = 29.93 in-Hg = 760.2 mm-Hg = 1.014 bar

- Internal Shunt-Resistor for Easy System Checks
- FM/CSA Intrinsically Safe - Standard
- All Stainless Steel Construction
- Hermetically Sealed Double Diaphragm Design for Harsh Environments
- Available in Gage, Absolute, Sealed Gage, psi and Metric Ranges
- Cable or Connector Models
- Optional Pressure Ports to Fit Most Industrial Applications

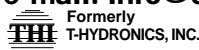
For Sales and Service
 In U.S.A. and Canada

1-800-872-3963
1-800-USA-DYNE

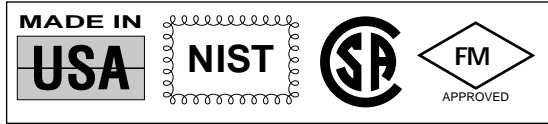
International Customers Dial
(614) 965-9340
 24-Hour FAX (614) 965-9438

OMEGADYNESM FAX
 OMEGADYNE's 24-Hour
 On-Line Publishing Service
1-800-344-3963
1-800-DIG-DYNE
 Document # 3654

OMEGADYNE, Inc.
 149 Stelzer Court, Sunbury, OH 43074
<http://www.omegadyne.com>
 e-mail: info@omegadyne.com



© COPYRIGHT 1996 OMEGADYNE, INC. ALL RIGHTS RESERVED.



SPEC SHEET
PX02-5V

Interchangeable with
Model TH-2V



**HIGH
 ACCURACY
 AMPLIFIED
 VOLTAGE
 OUTPUT
 PRESSURE
 TRANSDUCER**
⁷/₁₆-20 Pressure
 Connection

Model PX02K1-100G5T
 Shown Smaller than Actual Size

► Most Popular Models Highlighted ◀ Prices Shown in U.S. Dollars

To Order: (Specify Model Number)			
Models with ⁷ / ₁₆ -20 Connection / Connector Style			
Range (psi)	Model Number	Price	Compatible Meters
Absolute Pressure (All Ranges Available in Absolute Pressure)			
0-10	PX02K1-010A5T	\$705	INFP, INFCP, IDP
0-15	PX02K1-015A5T	705	INFP, INFCP, IDP
0-20	PX02K1-020A5T	705	INFP, INFCP, IDP
0-25	PX02K1-025A5T	705	INFP, INFCP, IDP
0-50	PX02K1-050A5T	705	INFP, INFCP, IDP
Gage Pressure (All Ranges Also Available in Sealed Gage Pressure)			
0-2	PX02K1-002G5T	695	INFP, INFCP, IDP
0-5	PX02K1-005G5T	695	INFP, INFCP, IDP
0-10	PX02K1-010G5T	695	INFP, INFCP, IDP
0-15	PX02K1-015G5T	695	INFP, INFCP, IDP
0-50	PX02K1-050G5T	695	INFP, INFCP, IDP
0-75	PX02K1-075G5T	630	INFP, INFCP, IDP
0-100	PX02K1-100G5T	630	INFP, INFCP, IDP
0-200	PX02K1-200G5T	630	INFP, INFCP, IDP
0-300	PX02K1-300G5T	630	INFP, INFCP, IDP
0-500	PX02K1-500G5T	630	INFP, INFCP, IDP
0-1000	PX02K1-1KG5T	630	INFP, INFCP, IDP
0-1500	PX02K1-1.5KG5T	630	INFP, INFCP, IDP
0-2000	PX02K1-2KG5T	630	INFP, INFCP, IDP
0-3500	PX02K1-3.5KG5T	630	INFP, INFCP, IDP
0-5000	PX02K1-5KG5T	630	INFP, INFCP, IDP
0-7500	PX02K1-7.5KG5T	630	INFP, INFCP, IDP
0-10,000**	PX02S1-10KG5T	730	INFP, INFCP, IDP
0-20,000**	PX02S1-20KG5T	730	INFP, INFCP*, IDP*
0-30,000**	PX02S1-30KG5T	730	INFP, INFCP*, IDP*

* 4 digit meter, counts in increments of 10. ** 1/4 HP Tube Fitting
 Interchangeable with Model TH-2V Metric Ranges Available - Consult Engineering
 To order Absolute Pressure replace the OGO in model number with OAO (no charge).
 To order Sealed Gage units replace OGO in model number with OSO (no charge).
Ordering Examples: 1.) PX02K1-1KG5T is a 1,000 psi gage transducer with 0-5 V output,
 twist lock connector and ⁷/₁₆-20 female pressure connection, \$630. Mating Connector (not
 included) PT06F-10-6S, \$26.50. 2.) PX02K1-010G5T is a 10 psi gage transducer with 0-5 V
 output, twist lock connector and ⁷/₁₆-20 female pressure connection, \$695. Mating Connector
 (not included) PT06F-10-6S, \$26.50.

The OMEGADYNE[®] PX02 Series are high accuracy, amplified voltage output, industrial pressure transducers. All stainless steel construction and a hermetically sealed case makes the PX02 suitable for harsh industrial environments. It is a true high accuracy industrial device with FM/CSA Intrinsically Safe rating standard. A broad temperature compensated range of 16 to 71°C (60-160°F) and excellent temperature compensation make this transducer very stable with fluctuating temperatures.

The PX02 is available in gage, absolute or sealed models as well as PSI or metric ranges. NPT and 7/16-20 O-ring seal fittings are available for industrial and Hydraulic applications.

SPECIFICATIONS:

Electrical:

Excitation: 24 - 32 V ac/dc

Output: 0-5 Vdc ±10% adj

Zero Balance: 0 V ±10% adj

Agency Approvals: FM/CSA Intrinsically Safe IS/II.III/1/CDEFG Standard

Performance:

Accuracy Class: 0.15%

Linearity: ±0.15% FSO

Hysteresis: ±0.05% FSO

Repeatability: ±0.05% FSO

Sensing Element: 4 active-arm bridge, using thick film strain gages in a hermetically sealed double diaphragm chamber

Shunt Calibration Value : Specified on Calibration sheet

Environmental:

Operational Temp Range: -46 to 121°C (-50 to 250°F)

Compensated Temp Range: 16 to 71°C (60 to 160°F)

Thermal Effects: Span: 0.003% of Rdg/°F Zero: 0.0025% of FSO/°F

Pressure:

Ranges (PSI):

2,5,10,15,20,25,50,75,100,150,200,250,300,500,750,1K,1.5K,2K,3K,3.5K,5K,7.5K,10K,20K,30K

Proof Pressure:

150% of rated pressure

Burst Pressure:

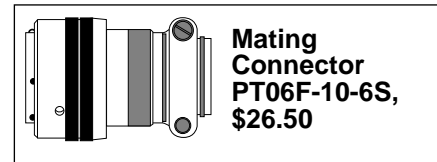
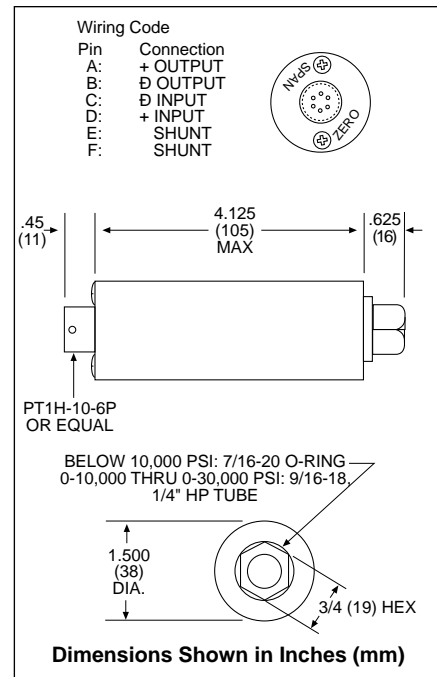
300% of rated pressure

Mechanical:

Wetted Parts: 17-4PH Stainless Steel

Pressure Port: Ranges <10,000 psi = 7/16-20 UNF-2A female, Also Available: 7/16-20 UNF-2A M or 1/2-18 NPT, M/F Ranges 10,000-30,000 psi = 9/16-18, 1/2" HP tube

Electrical Connection: PT1H-10-6P or equal. Also available: 10 ft (3m) 6-conductor cable



CUSTOM CONFIGURATIONS

SERIES PX02	PRESSURE PORT [1]	ELECTRICAL CONNECTION [2]	RANGE (PSI) [3]	UNITS [4]	OUTPUT [5]	OPTIONS [6]
Models < 10,000 psi			002*	S,G,A	V = mV/V Output	FM = FM Hazardous Locations
C = 1/2-18 NPT-M			005*	S,G,A	Base Price	
D = 1/2-18 NPT-F			010	S,G,A	5T = 0 to 5Vdc Output	+\$150 mV/V models only
J = 7/16-20 UNF-M			015	S,G,A	+\$155 all ranges	
K = 7/16-20 UNF-F			020	S,G,A	5Z = Isolated 0 to 5 Vdc	OL = Overload Stops
Models ≥ 10,000 psi			025	S,G,A	+\$190 all ranges	+\$45
S = 1/2" HP Tube Fitting			050	S,G,A	10T = 0 to 10 Vdc Output	OX = Cleaned for Oxygen use
			075	S,G,A	+\$155 all ranges	+\$75 & 2 weeks
	0 = 10ft cable (std)		100	S,G,A	I = 4 to 20mA Output	
	+\$2/ft over 10 ft		150	S,G,A	+\$175 all ranges	
	1 = PT1H-10-6P Connector or equal (no charge)		200	S,G,A		
	Mating Connector (not included) order		250	S,G,A		
	PT06F-10-6S		300	S,G,A		
	\$26.50		500	S,G,A		
	5 = Lightning protected Amplifier Box (no charge) (4-20 mA models only)		750	S,G,A		
			1K	S,G,A		
			1.5K	S,G,A		
			2K	S,G,A		
			3K	S,G,A		
			3.5K	S,G,A		
			5K	S,G,A		
			7.5K	S,G,A		
			10K	S,G,A		
			20K	S,G,A		
			30K	S,G,A		

* 2 and 5 psi Ranges available only on amplified output Supplied with 1/2" HP Tube Fitting

- To Order a Custom Configuration:**
1. Select a Pressure Port
 2. Select Electrical Connection
 3. Select a Pressure Range
 4. Select Pressure Units
 5. Select Output
 6. Select Options and Agency Approvals

Interchangeable with Model TH-2V

Metric Ranges Available - Consult Engineering

- Ordering Examples:** 1.) **PX02C1-100GI** is a 100 psi Gage Pressure transducer with a 1/2-18 NPT-Male fitting, a PT1H-10-6P Connector, and 4-20 mA output, \$475+175+19 = **\$669**. To order Mating Connector (not included) **PT06F-10-6S, \$26.50**.
- 2.) **PX02K0-1KSSZ** is a 1,000 psi Sealed Gage Pressure transducer, with a 7/16-20 UNF-Female fitting, a 10 ft (3m) cable, and Isolated 0 to 5 output, \$475+190 = **\$665**.
- 3.) **PX02J1-015A5T** is a 15 psi Absolute Pressure transducer with, a 7/16-20 UNF-Male fitting, PT1H-10-6P Connector, and a 0 to 5 Vdc output, \$540+155+19 = **\$714**. To order Mating Connector (not included) **PT06F-10-6S, \$26.50**.
- 4.) **PX02K5-025GV** is a 25 psi Gage Pressure transducer, with a 7/16-20 UNF-Female fitting, mV/V output, and a lightning protected amplifier housing, **\$540**.